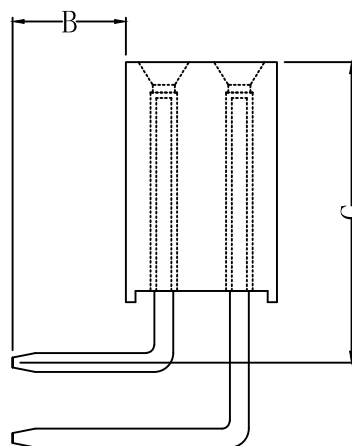
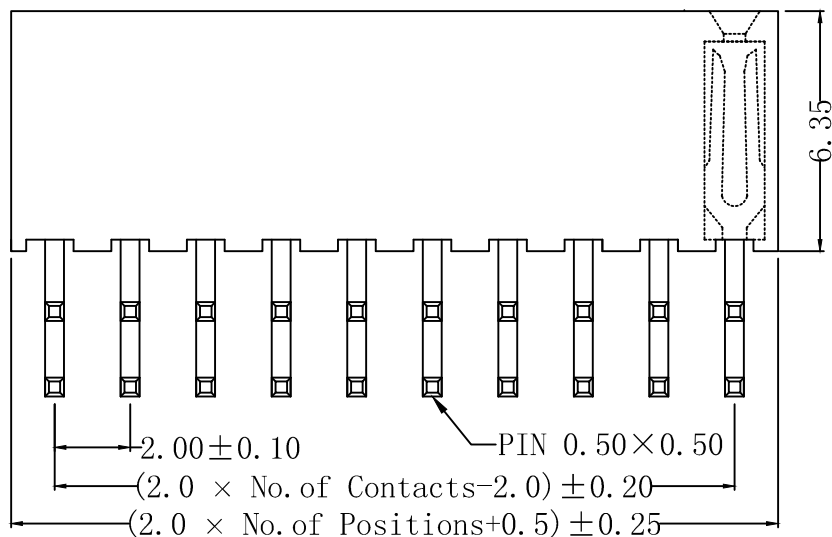
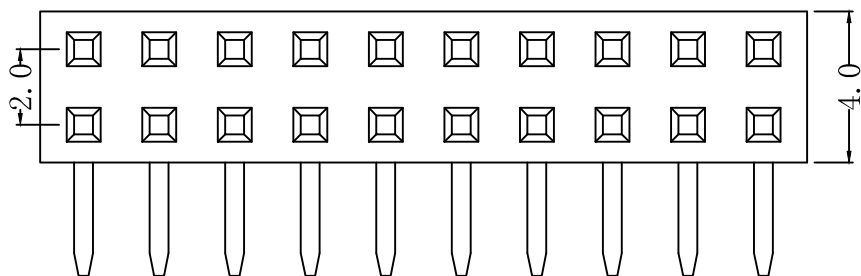


REV	DESCRIPTION	DATE



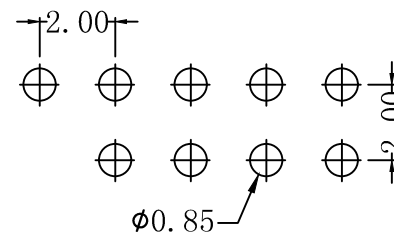
SPECIFICATIONS

Current Rating: 2.0 Amps
 Insulator resistance: 1000MΩ Min.
 Dielectric withstanding: AC 500V
 Contact Resistance: 20 mΩ Max
 Operating Temperature: -40° C - +105° C

MATERIALS

Contact Material: Copper Alloy
 Insulator Material: High Temperature Thermoplastic, UL 94V-0 Nylon
 Finish: Gold/Tin Plated over Nickle
 All materials must meet RoHS requirements

Recommended P. C. Board
 Hole Layout



Ordering Information
 CNT - F200 - 2*XX - GD - H/B
 Female header Pitch 2.00mm No. of Pins per Row Gold Plated & Right angleType Custom Length Available

A	E
B	F
H	W

CNT 肯耐特电子有限公司			GENERAL	TOLERANCE	DRAWN	DATE	DWG. NO.	TITLE
			X.°	±5°	X.	±0.30	董道丽	
REV.	UNIT	SCALE	.X°	±3°	CHECK	DATE	PART. NO.	2.0*2.0 Female Header Dual Row Right Angle Type
1.0	mm	1:1	.XX°	±2°	王芳芳	20190321		
			.XXX°	±1°	王元中	20190321	CNT-F200-2*XX-GS-635/B	