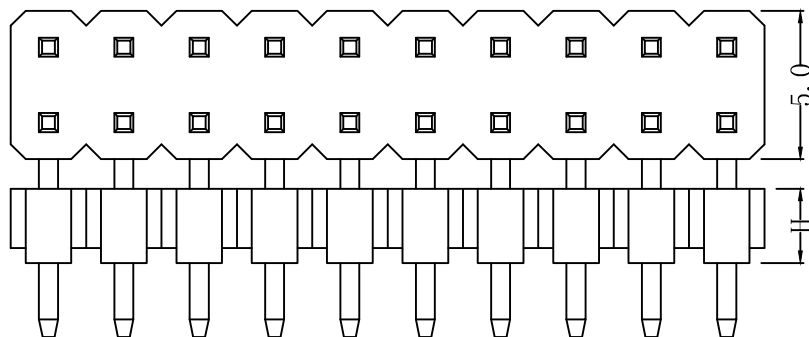


REV	DESCRIPTION	DATE



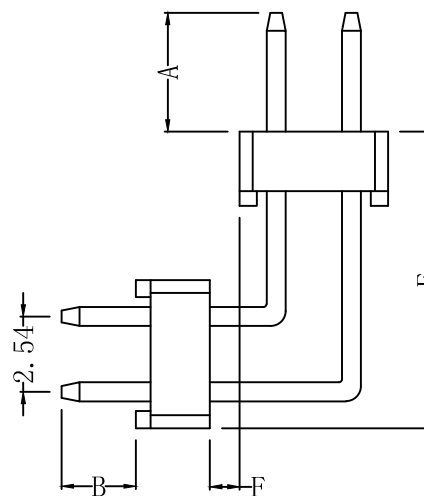
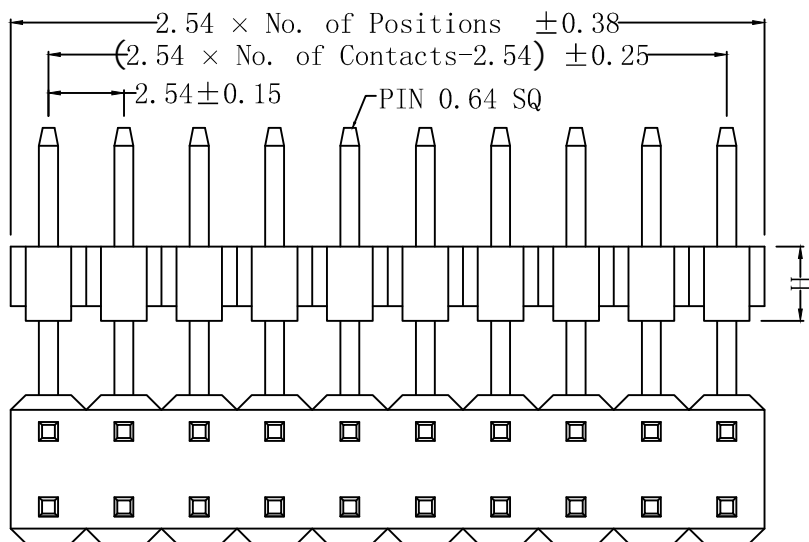
Type 2

SPECIFICATIONS

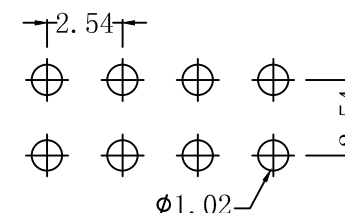
Current Rating: 3.0 Amps
 Insulator resistance: 1000MΩ Min.
 Dielectric withstanding: AC 600V
 Contact Resistance: 20 mΩ Max
 Operating Temperature: -40° C - +105° C

MATERIALS

Contact Material: Copper Alloy
 Insulator Material: High Temperature Thermoplastic, UL 94V-0 Nylon
 Finish: Gold/Tin Plated over Nickle
 All materials must meet RoHS requirements



Recommended P. C. Board Hole Layout



Ordering Information

CNT - M254 - 2*XX - GD2 - A/E/B/F - H

Male header Pitch 2.54mm No. of Pins per Row Gold Plated & Right angle Type Custom Length Available Plastic height

A	E
B	F
H	W

CNT 肯耐特电子有限公司

REV.	UNIT	SCALE	GENERAL TOLERANCE	DRAWN	DATE	DWG. NO.	TITLE
1.0	mm	1:1	X.° ±5° X. ±0.30	董道丽	20190321	PART. NO. CNT-M254-2*XX-GD2-A/E/B/F-H	2.54mm Pin Header Dual Row Right Angle
			.X° ±3° .X ±0.38	王芳芳	20190321		
			.XX° ±2° .XX ±0.25	王元中	20190321		
			.XXX° ±1° .XXX ±0.15				