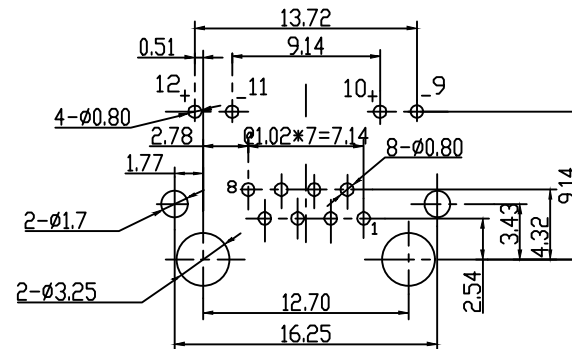
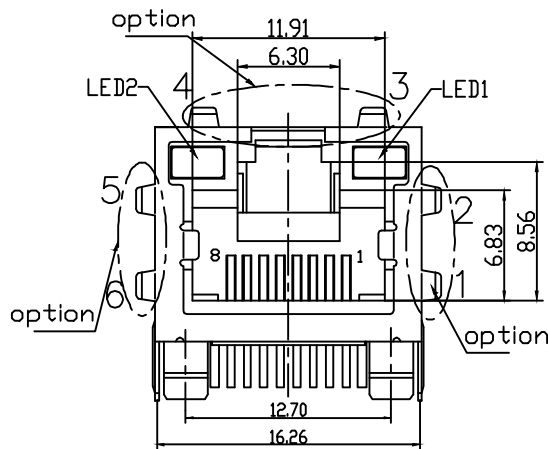
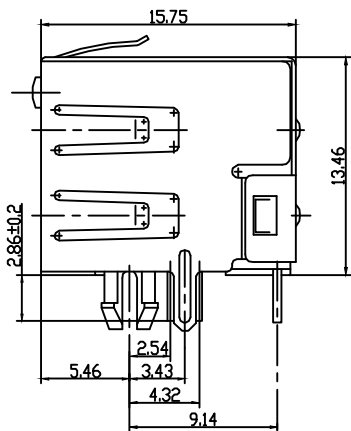
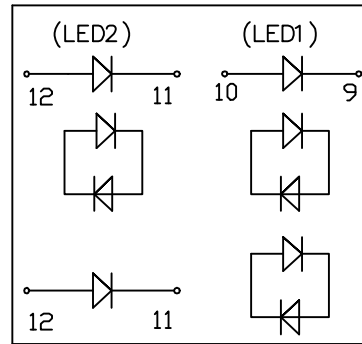
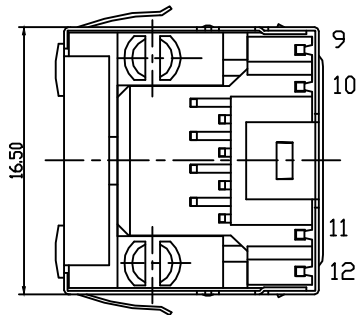


REV	DESCRIPTION	DATE



PC BOARD LAYOUT
THICKNESS=1.6mm

电气性能

1. 额定电压: 125 VAC RMS
2. 额定电流: 1.5 AMPS@25°C
3. 接触电阻: 45 mΩ MAX
4. 绝缘电阻: 1000 MΩ Min @500 VDC
5. 耐压强度: 1000 VAC RMS, 60Hz 1分钟.

机构特性:

1. 塑壳材质: PBT或PA46或PA66 UL94V-0;
2. 扁针材质: 磷青铜, 厚度0.35mm;
3. 扁针电镀: 接触区镀金(见料号表格) 镍底, 剥头电镀雾锡;
6. 插入/拔出力: 22N/2.27kg Max;
5. 配合强度: 57.83N Min.
6. 可靠性: 最少750次插拔
7. 铁壳材质: 黄铜, 厚度0.20mm, 镀镍;

环境性能:

1. 储存温度: -10°C ~ +40°C, 相对湿度<80%
2. 工作温度: -40°C ~ +85°C

NOTES:

ELECTRICAL:

- | | |
|--------------------------|----------------------------|
| 1. VOLTAGE RATING | :125 VAC RMS. |
| 2. CURRENT RATING | :1.5 AMP. |
| 3. CONTACT RESISTANCE | :45 mΩ MAX |
| 4. INSULATION RESISTANCE | :1000 MΩ MIN @ 500 VDC. |
| 5. WITHSTAND VOLTAGE | :1000 VAC RMS, 60Hz, 1MIN. |

MECHANICAL:

- | | |
|--------------------------|--|
| 1. HOUSING MATERIAL | :PBT /PA66/PA46 UL94V-0. |
| 2. CONTACT MATERIAL | :PHOSPHOR BRONZE T=0.35mm. |
| 3. PLATING | :1:CONTACT AREA-SELECTIVE GOLD PLATING
2:TAILS PLATING TIN OVER NICKEL. |
| 4. MATING/UNMATING FORCE | :22N/2.27kg Max. |
| 5. RETENTION STRENGTH | :57.83N Min. |
| 6. OPERATING LIFE | :750 CYCLES MIN |
| 7. SHIELD | :BRASS T=0.2mm PLATED NICKEL FOR ALL. |

ENVIRONMENTAL:

- | | |
|--------------|-------------------------------------|
| 1. STORAGE | : -10°C~+40°C RELATIVE HUMIDITY<80% |
| 2. OPERATION | : -40°C~+85°C. |
- MATES WITH MODULAR PLUG CONFORMING TO FCC PART 68, SUBPART F.
ROHS PART NUMBER:

CNT 肯耐特电子有限公司

GENERAL TOLERANCE

X.° ±5°	X. ±0.30
.X° ±3°	.X ±0.38
.XX° ±2°	.XX ±0.25
.XXX° ±1°	.XXX ±0.15

DRAWN

董道丽

DATE

20191112

DWG. NO.

CHECK

王芳芳

DATE

20191112

PART. NO.

APPROVE

王元中

DATE

20191112

CNT-56-31-01-S-LED

TITLE

RJ45 1*1 56LED-S 8P
PCB JACK

REV.
1.0

UNIT
mm

SCALE
1:1

