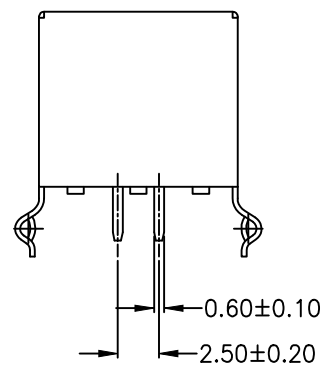
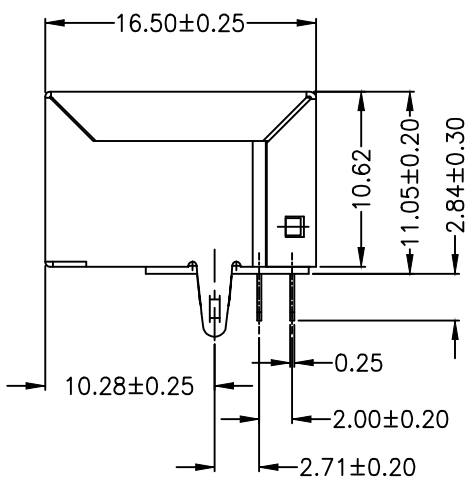
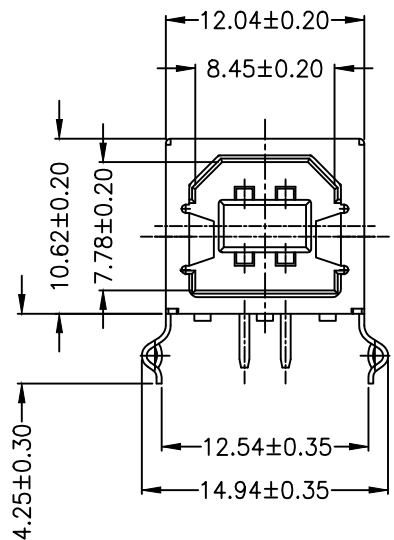
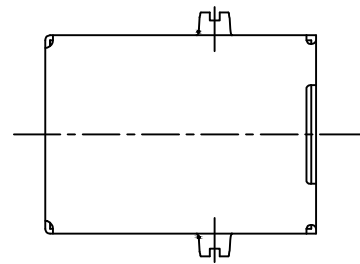


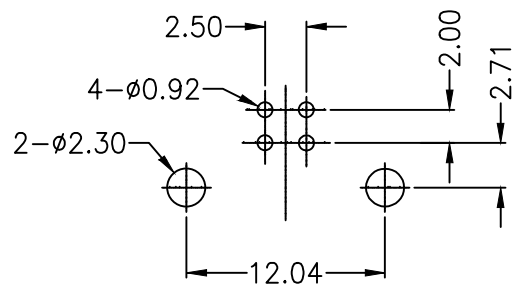
RoHS

REV	DESCRIPTION	DATE

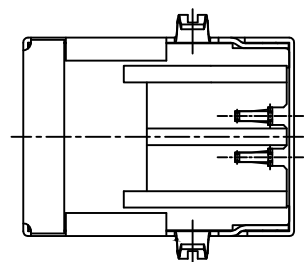


Specification

- 1.Current Rating:1.5AMP at 250V AC  
Voltage Rating:30V
- 2.Insulation Resistance:1000MΩ Min
- 3.Contact Resistance:30mΩ Max
- 4.Dielectric Withstanding Voltage:500V AC
- 5.Temperature Range:-20°C to +60°C
- 6.Mechanical Characteristics:  
Insertion Force:35 Newtons maximum  
Extraction Force:10 Newtons minimum



RECOMMENDED P.C.B HOLE LAYOUT  
TOP VIEW(TOLERANCE:±0.10)



4	Shell	C2680H	1	T=0.30 Plating nickel/Tin
3	Housing	PBT	1	UL94V-0 Nature/Black/White
2	Contact(Long)	C2680H	2	T=0.25 Plating Gold
1	Contact(brief)	C2680H	2	T=0.25 Plating Gold
NO.	VARIETY	MATERIAL	QT,Y	REMARK

<b>CNT</b> 肯耐特电子有限公司			GENERAL TOLERANCE		DRAWN	DATE	DWG. NO.		TITLE	
			X. ° ±5°	X. ±0.30	董道丽	20191112				
REV. 1.0    UNIT mm    SCALE 1:1			.X ° ±3°		CHECK	DATE	PART. NO.		USB B TYPE (FEMALE) DIP 90° L=16.50	
			.X ° ±2°	.XX ±0.25	王芳芳	20191112				
			.XXX ° ±1°		APPROVE	DATE	CNT-USB-BF-TD			
			.XXX ±0.15	王元中	20191112					